
LED-LUC 60

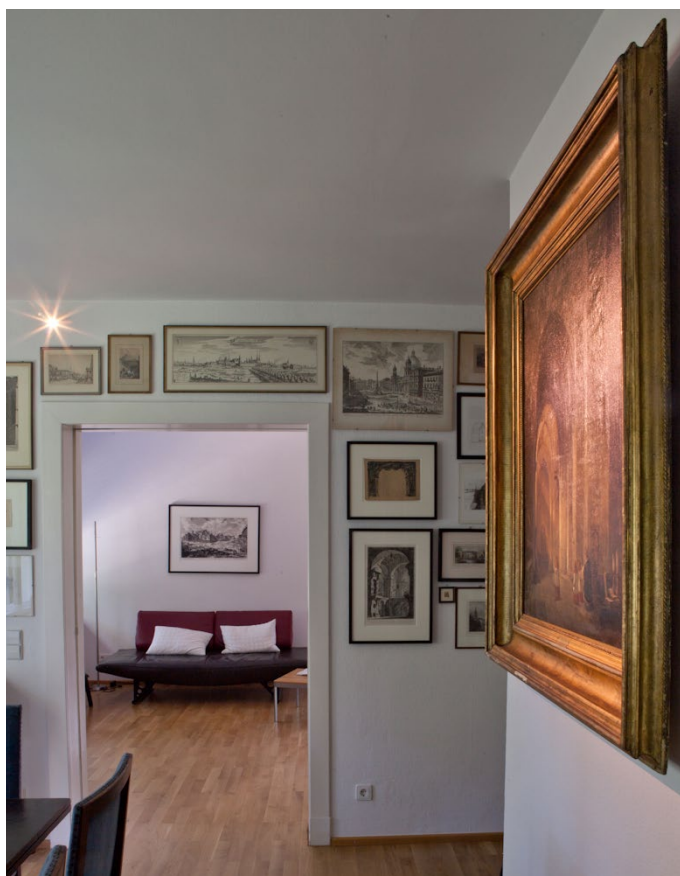
Magnetic Spot «L»

LED-LUC_60

Magnetic Spot »L«

ADO *Lights*

BIDDERES



LED-LUC_60

Magnetic Spot »L«



BASE INFORMATION AND GENERAL TECHNICAL SPECIFICATIONS



LED-Luc 60 | Little big one

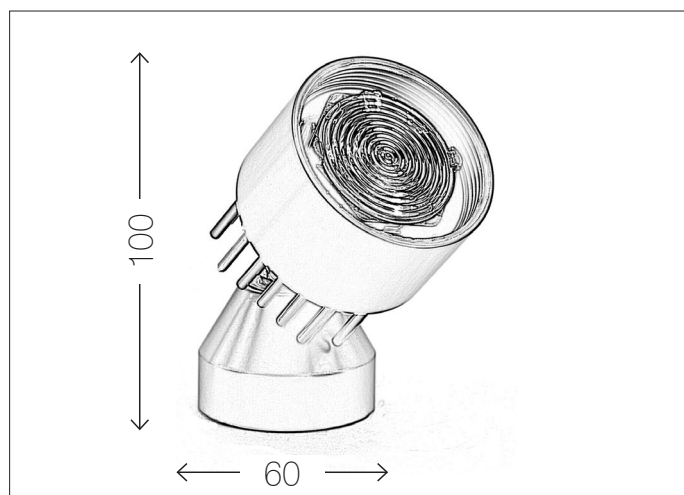
Switch on the Spot! LED-Luc is small but powerful. To the point or for spacious illumination, as desired. In addition, it can be pivoted and it is magnetic on the reverse side. Another positive aspect: LED Luc generates very little heat. And the luminaire provides excellent colour reproduction.

LED-Luc 60 is the miniature spot's big brother. Hence, it provides a three times higher power output. Other beneficial features are identical – down to the spherical head magnet, used to position the light beam.

Features

- High flexibility due to a multitude of application options and individual adjustability
- Magnetic base
- For private residences, showrooms, churches, castles, museums, trade fairs, libraries, galleries
- To gently illuminate paintings, works of art, exhibits
- No UV components
- Low heat/thermal load, hence, only very little air-conditioning
- Excellent CRI [CRI > 90]

DIMENSIONS [W X H]	Approx. 60 x 100 mm
POWER CONSUMPTION	4–9 W depending on energization 350–700 mA
OPERATING VOLTAGE	Low voltage to 48V DC
LIGHT BEAM ANGLE	25°/45°/60° freely swivelling on bullet magnet
SERVICE LIFE	LED 50,000 hours at 70% of mean luminous flux
COLOUR TEMPERATURE	White 2,600/3,000/3,500/4,000 Kelvin
CRI	CRI > 90
NO. OF LEDS	3
IP RATING	IP44
CERTIFICATES	CE, RoHS
LUMINAIRE HOUSING WITH BULLET MAGNET	Aluminium anodised Aluminium black anodised Aluminium vanished white RAL9010
ATTACHEMENTS [OPTIONAL]	Threads for screwing on · Honey comb mesh to optimise the dazzling effect · Tapered
CONTROL INTERFACE	Static or digital dimmable converter, DALI
WEIGHT	0.3 kg



TTC Timmler Technology GmbH
Christian-Schäfer-Straße 8
D-53881 Flammersheim [Cologne/Bonn]
T +49 2255 9212-00
F +49 2255 9212-99
E info@ado-lights.com
I www.ado-lights.com
www.led-luc.com

ADO  [®]
by TTC Timmler Technology

