
LED-LIGHTLINE

Recessed Luminaire
standard/high-power/RGB

ADO ®
by TTC Timmler Technology

LED-LIGHT LINE

Recessed Luminaire
Standard/High-power/RGB

ADO *Lights*

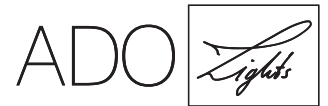
PICTURES



LED-LIGHT LINE

Recessed Luminaire

Standard/High-power/RGB



BASE INFORMATION AND GENERAL TECHNICAL SPECIFICATIONS



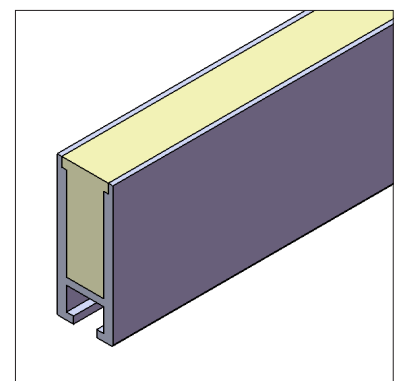
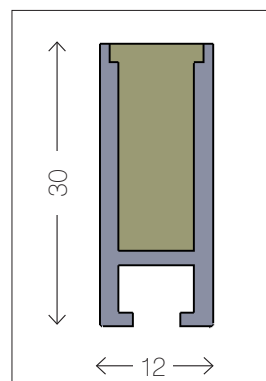
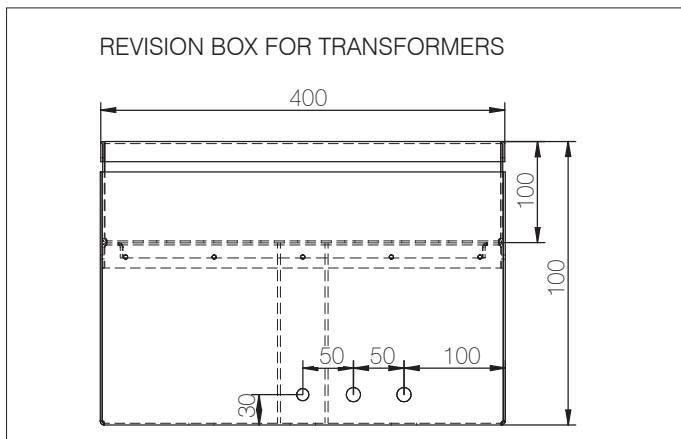
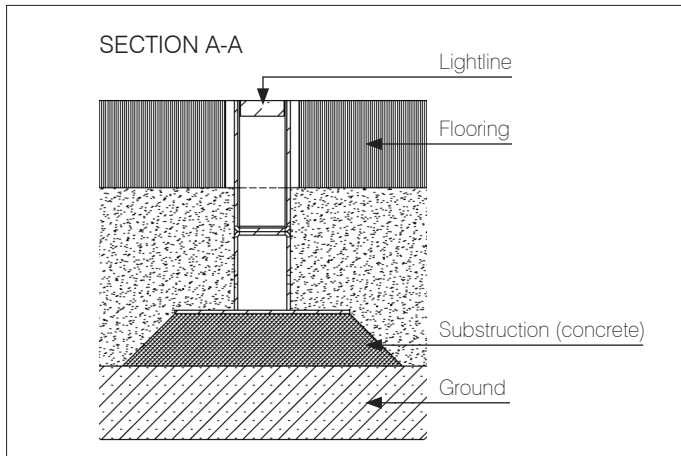
LED-LightLine | Eye-catcher + Signpost

Luminous lines when darkness falls. Sometimes an eye-catcher. At other times showing the way. They accentuate entrance areas or emphasize architectural contours. Lightlines can be integrated in façades and floor spaces – they are always an optical highlight.

Features

- For public spaces, façades, entrance areas
- Straight or curved versions
- Safe to walk or drive in for vehicles with air-filled tires
- Implementation in variable applications from user-friendly small applications to building automatism systems
- Perfect homogeneous lighting
- Light colours monochrome, optional standard: multicolor

DIMENSIONS [W X H]	30 x 12 mm Rectangular profile
POWER CONSUMPTION	STANDARD: 19.2 W/lfm 14.4 W/lfm [RGB] HIGH-POWER: 38 W/lfm
LUMINOUS FLUX	STANDARD: Module efficiency 75 lm/W Luminous flux 450 lm Nominal luminous flux 1,280 lm HIGH-POWER: Module efficiency 100 lm/W Luminous flux 1,160 lm Nominal luminous flux 3,320 lm
SERVICE LIFE	LED and EVG 50.000 hours at 70% of mean luminous flux
COLOUR TEMPERATURE	STANDARD: Monochrome 2,700/3,000/3,500 Kelvin optional RGB HIGH-POWER: Monochrome 3,000/3,500/4,500 Kelvin
CRI	CRI > 85
CONTROL INTERFACE	with ballast compatible to any interface as i.e. DMX512, DALI, EIB etc.
IP RATING	IP68
CERTIFICATES	CE, RoHs
LUMINAIRE HOUSING	Aluminium anodised Stainless steel on request
COVER	High-quality, opaque polyurethane seal
OTHER	Ambient temperature -25 °C up to +50 °C Connection cable with plug connection IP67 suitable for mounting in the ground, mounting profile made of stainless steel
WEIGHT	0.75 kg/m



TTC Timmler Technology GmbH
Christian-Schäfer-Straße 8
D-53881 Flamersheim [Cologne/Bonn]
T +49 2255 9212-00
F +49 2255 9212-99
E info@ado-lights.com
I www.ado-lights.com
www.led-luc.com



by TTC Timmler Technology

